



Silos

Standard Sizes

12' O.D x 26' Side wall (3200CUFT)
60 degree cone
3/8" domed head
1/4" material on tank body
4 - 8 @ 24lb WF Beam
4 - 2" HSS leg / cone support
1 - 8 @ 48lb WF beam skid
10' O.D x 24' Side wall (1800CUFT)
60 degree cone
3/8" domed head
1/4" material on tank body
4 - 8 @ 24lb WF Beam
4 - 2" HSS leg / cone support
1 - 8 @ 48lb WF beam skid
10' O.D x 13' Side wall
60 degree cone
3/8" domed head
1/4" first course 3/16" top shell
8 @ 18lb WF Beam L skid
3-1/4" Boxed in saddles

External Finish Options

Endura, Cloverdale or Devoe
Devtar 5A, Clovertar epoxy base skid sealer
Urethane insulation c/w Elastameric sealer
Tank paneling c/w aluminum clad
3" Mineral wool tank wrap c/w .025 Stucco
embossed or .020 Smooth aluminum
Company logo & tank numbers in 7 year vinyl
Safety decals

Internal Finish Options

Devoe 253
Devoe 233 Potable water lining
Devoe 495 Acid lining
Hemple 15500
Endura



Calgary Sales Office

990, 630 - 6th Avenue SW • Calgary, Alberta, Canada • T2P 0S8
Tel: 403.266.4556 • Fax: 403.269.9445 • E-mail: sales@uic.ca
www.uic.ca

Grande Prairie Area Sales Office

Debolt, Alberta
Tel: 780.957.2521
www.de-in.com • Email: sales@uic.ca • www.peaceland.ca

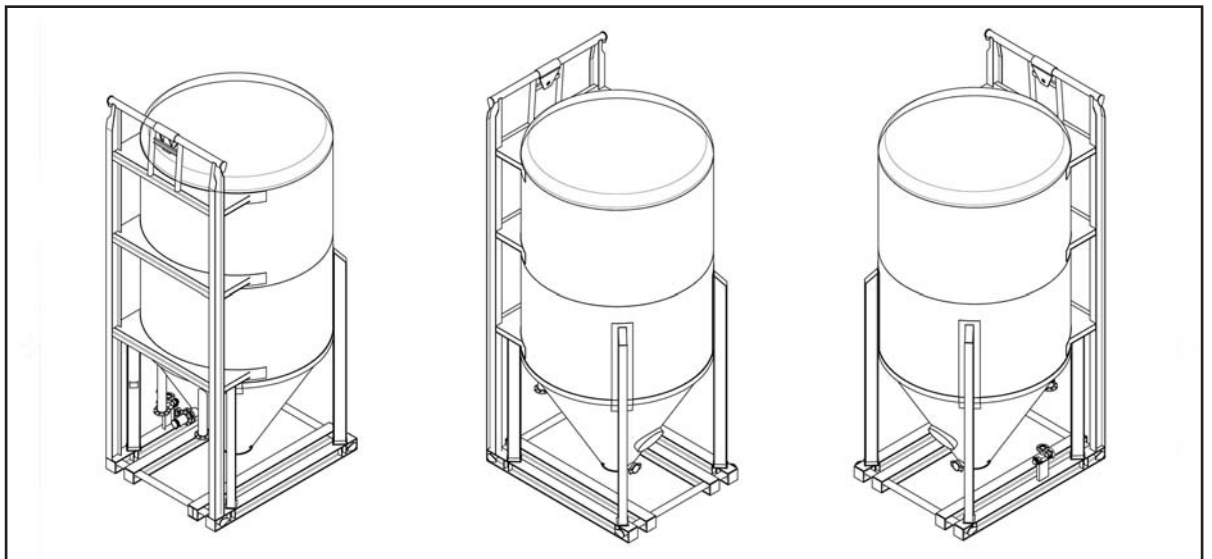
Hythe, Alberta
Tel: 780.356.2200



Silos

Standard External Options

- Keystone valves c/w companion flange, plug & chain
- North Fall arrest system installed
- Caged ladder
- Intermediate platform
- 2" Companion flanges, plugs & chains for steam coil
- Removable Burner tube and stack c/w Burner system
- Canvas pads
- Multiple head for large plant operation
- Custom aeration cartridges



Calgary Sales Office
990, 630 - 6th Avenue SW • Calgary, Alberta, Canada • T2P 0S8
Tel: 403.266.4556 • Fax: 403.269.9445 • E-mail: sales@uic.ca
www.uic.ca

Grande Prairie Area Sales Office
Debolt, Alberta
Tel: 780.957.2521
www.de-in.com • Email: sales@uic.ca • www.peaceland.ca
Hythe, Alberta
Tel: 780.356.2200